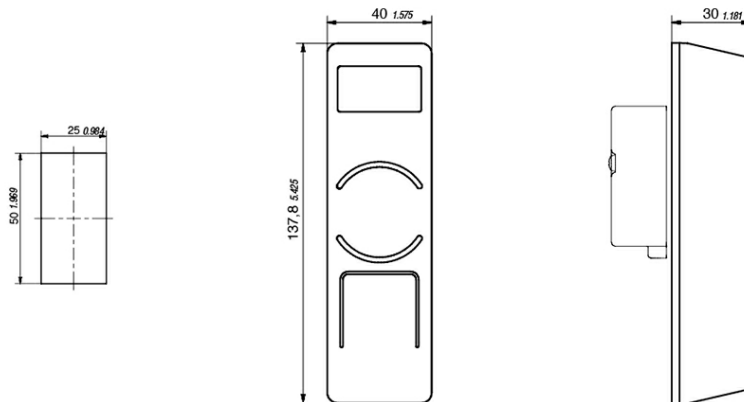




- Label holder with customizable backlit LED
- LED visualization of lock status
- No key override
- TCP/IP Ethernet interface
- 125kHz HID Prox
- 13.56MHz HID iClass, Mifare Classic, Mifare DESFire EV1, Mifare DESFire EV2
- Emergency power supply via battery pack
- Storage capacity for 2,000 cards and pins
- Storage capacity for 500 events (offline) and 30 time profiles
- Supports both Fail-safe and Fail-secure locks

Dimension



Technical Details

- Power Supply: 12/24/48 V ± 10% (DC) (use the appropriate power supply for the connected lock)
- Bias-Current: 40mA (DC)
- Max current rating: RJ12 – 1,4A (DC)
- Max current rating: Terminal – 3A (DC)
- Temperature range: -20C to + 70C

Connection



MLU5000

The MLU5000 communicates via the TCP / IP protocol across the network directly to the MLM Administration Suite Software platform. Each controller receives its own IP address and UID. This system allows MLM users to control third party locks such as magnetic, electric strikes or the MLU series. Ideal applications include cold aisle containment, storage lockers or building doors.

LED Status



Item number

MLU5000 Kit (125 kHz) complete (including MLU1000)
610-9650.00-00000

MLU5000 Kit (13.56 MHz) complete (including MLU1000)
610-9650.00-01356

MLU5000 (125 kHz) controller only (without MLU1000)
610-9650.01-00125

MLU5000 (13.56 MHz) controller only (without MLU1000)
610-9650.01-01356

Delivery

MLU Reader

Additional products

Door contact

Power supply (12/24 V DC)