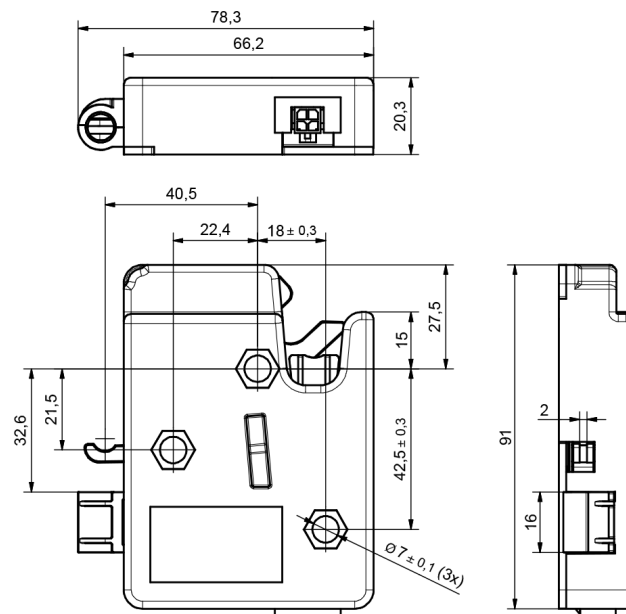


- Rotary mechanism for electronic unlock and easy lock by pushing
- Can be integrated into an existing management system
- Signal about door- and lock status
- Power Supply 8-24 V (DC)
- Universal mounting
- Emergency opening

Dimension



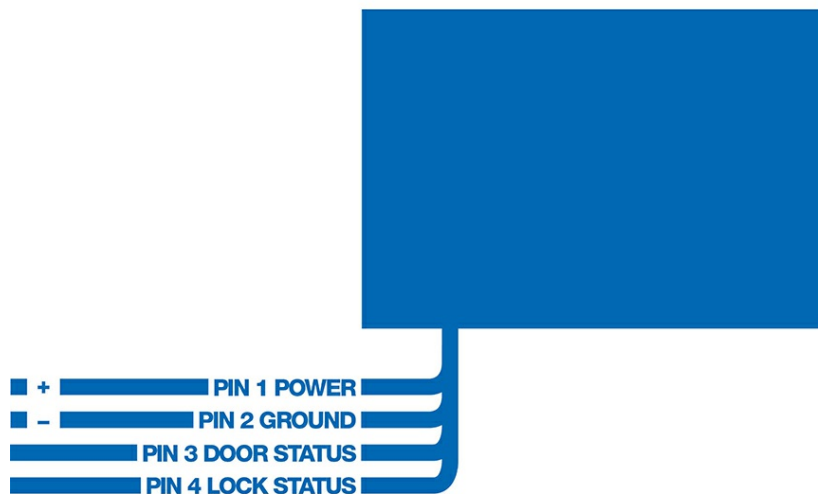
Technical Details

- Power Supply 8-24 V (DC)
- IP65 in accordance with DIN EN 60529
- Up to max. 350kg max. pull-off force
- DC8V~DC24V (standard: <200mA at 12V)
- ROHS, CE and FCC
- Working live: <500,000 times

Material

Stainless Steel AISI 304
ABS
PC

Connection



MLU1003

The MLU1003 electronic rotary latch lock provides a high level of security by indicating not only the locking status but also the door status. High-quality materials ensure high load capacity, durability and more.

Item number

MLU1003 8-24 VDC
600-9013.00-00824

MLU1003 3-8 VDC
600-9013.00-00038

Delivery

Electronic rotary latch

Accessories

Molex control line
607-8789.00-00350

MLU1003 emergency release 600mm
600-9014.00-00600

MLU1003 emergency release 1200mm
600-9014.00-01200

MLU1003 emergency release 2500mm
600-9014.00-02500