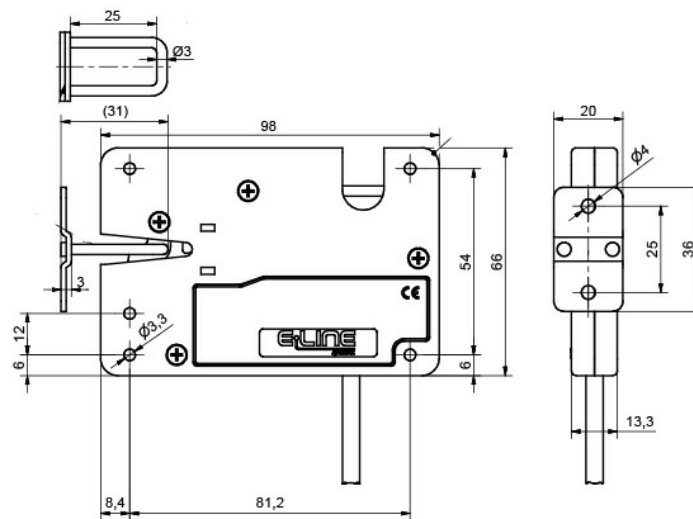




- Rotary mechanism for electronic unlock and easy lock by pushing
- Can be integrated into an existing management system
- Status output of lock position
- Unlock with supplied power
- Universal mounting
- Emergency opening

Dimension



Technical Details

- Power Supply 8-24 V (DC)
- IP 54 according to DIN EN 60529
- 270kg max. pull-off force
- Max Current: 100 mA ~ 225 mA (DC)
- Operating temperature -40°C ~ +75°C
- CE, ROHS & REACH
- Working live: 250,000 times

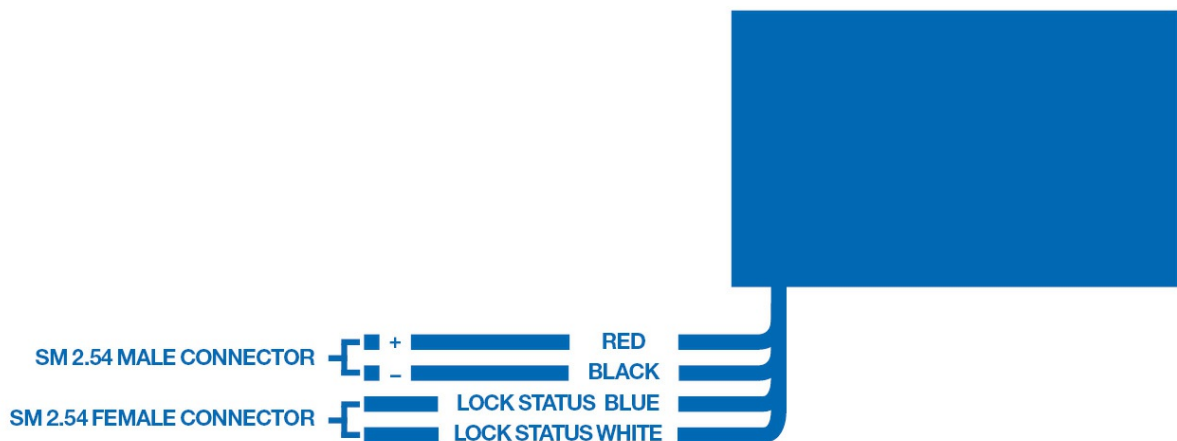
Material

Stainless Steel AISI 430
ABS

Accessory

Extension cable 3,5 m with tinned wires 607-5993.00-03500

Connection



MLU1002

The MLU1002 can be connected to any existing management system. The lock is designed to simplify retrofit mounting to existing enclosures. The significant pull-off force and hidden mounting increases the security of any application.



MLU1002

Item number	Delivery
MLU1002 600-9009.00-00000	Cam Catch
	Fixing Screw