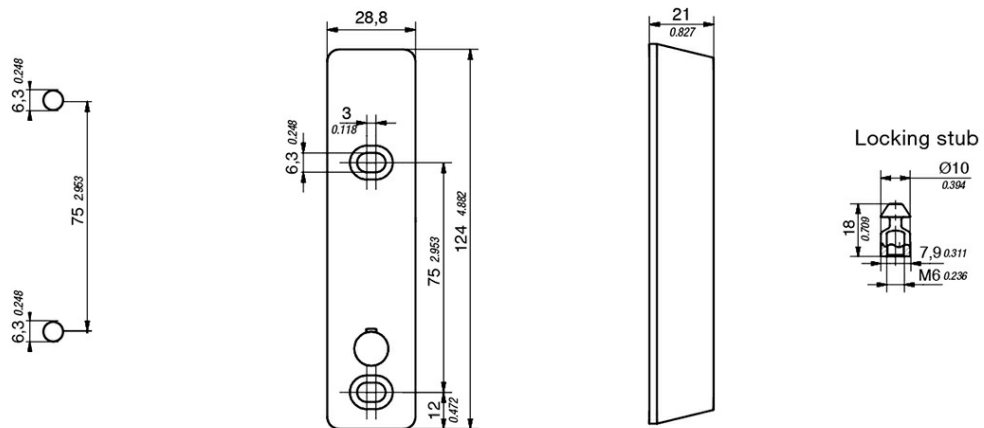




- Can be integrated into an existing management system or can be managed with our MLM Administration Suite platform via the MLU5000 and MLU3000
- Status output of lock position
- Unlock with supplied power
- Universal mounting
- Fail-safe or Fail-secure

Dimension



Technical Details

- Power Supply: 12/24/48 V \pm 10% (DC)
- Current: 220mA / 100mA / 50mA (DC)
- Temperature range: -20C to +50C
- 170N pull-off force

Connection



MLU1000

The MLU1000 can be connected to any existing management system but is ideally suited for integration with the MLM via the MLU3000 or MLU 5000. The lock is designed to simplify retrofit mounting to existing enclosures. The significant pull-off force and hidden mounting increases the security of any application.

Item number

MLU1000 (12V) Fail-Safe
600-9721.00-00000

MLU1000 (12V) Fail-Secure
600-9723.00-00000

MLU1000 (24V) Fail-Safe
600-9708.00-00000

MLU1000 (24V) Fail-Secure
600-9724.00-00000

MLU1000 (48V) Fail-Safe
600-9722.00-00000

MLU1000 (48V) Fail-Secure
600-9725.00-00000

Delivery

MLU Reader

Additional products

MLU3000