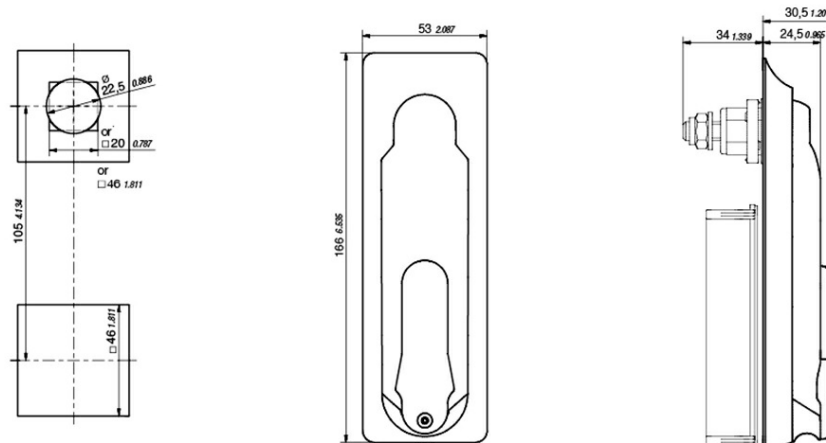




- Integration into existing management systems
- Resistance class II according to DIN EN 1630: 2011-09/RC2
- Vibration-proof according to DIN EN 61373: 2011
- Status output of lock position
- Unlocked via power interruption
- LED visualization of unlocked state

Dimension



Technical Details

- And-Opening
- Power Supply: 24 V \pm 10%
- Max Current: 120mA
- Operating Temperature: -20C to +70C
- IP65 according to DIN EN 60529
- Sheet metal thickness up to 2 mm (plus powder coating)
- 40 mm / 45 mm profile cylinder

Connection



MLE2100

Easily integrate the MLE2100 into an existing management system. Connect the positive / negative contacts for the electronic opening function of the swinghandle to the control module of your authorization / monitoring system. The handle position (open or closed) is output for complete visibility.

Item number

MLE2100
600-9001.00-00000

Delivery

Swinghandle

Additional products

MLE5000 KP RFID Antenna

MLE5000 RFID Antenna