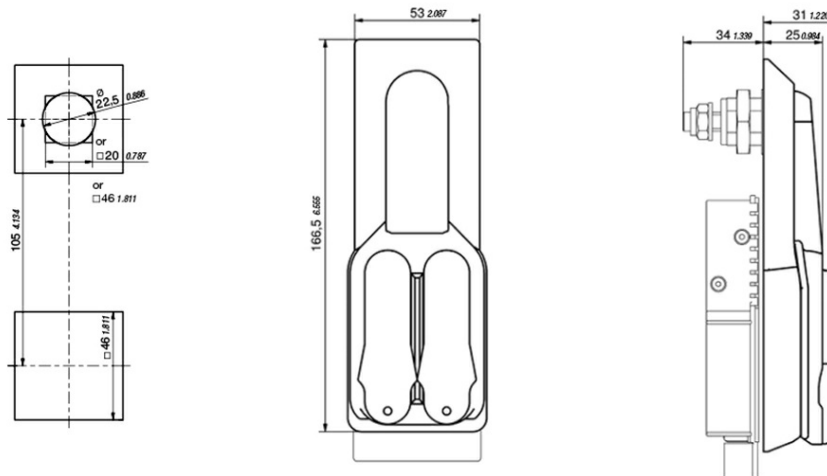




- Integration into existing management systems
- Resistance class II according to DIN EN 1630: 2011-09/RC2
- Vibration-proof according to DIN EN 61373: 2011
- Status output of lock position
- Unlocked with supplied power

## Dimension



## Technical Details

- Or-opening
- Power Supply: 48 V ± 10%
- Max Current: 120mA
- Operating Temperature: -20C to +70C
- IP65 according to DIN EN 60529
- Sheet metal thickness up to 2 mm (plus powder coating)
- Dual 40 mm / 45 mm profile cylinders

## Connection



## MLE1200

Easily integrate the MLE1200 into an existing management system. Connect the positive / negative contacts for the electronic opening function of the swinghandle to the control module of your authorization / monitoring system. The handle position (open or closed) is output for complete visibility.

## Item number

MLE1200  
600-9004.00-00000

## Delivery

Swinghandle

## Additional products

MLE5000 KP RFID Antenna

MLE5000 RFID Antenna